

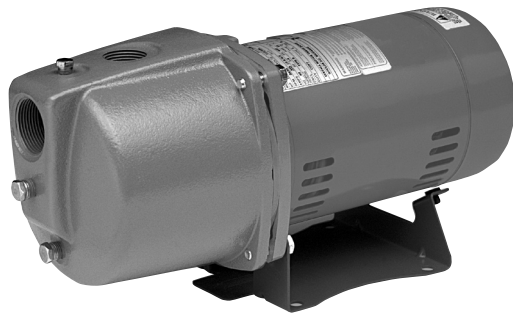


# ITT

## Residential Water Systems

# Red Jacket Water Products

**SRJ** 60 Hz Shallow Well  
Jet Pump 1/2, 3/4, 1 HP



## FEATURES

- Design has an integral shallow well jet built into the casing, which eliminates the need for a separate shallow well adapter.
- Back pullout design allows disassembly of pump for service without disturbing piping.
- Two compartment motor for easy access to motor wiring and replaceable components.
- Motor rated for continuous duty.
- Nozzle clean out plug in pump casing.
- Corrosion resistant, engineered plastic tubing and fittings. Premium O-ring design fittings need only be hand tight to seal.
- Impeller is F.D.A. compliant, glass filled Noryl®. Corrosion and abrasion resistant.
- Diffuser (Guidevane) is F.D.A. compliant, injection molded, food grade, glass filled Lexan® for durability and abrasion resistance.
- O-ring casing seal.
- Drain plug for ease of winterizing and maintenance.
- After initial priming the pump has the ability to re-prime itself even when air enters the system.

*Water Pumps from Red Jacket are the natural choice of well drillers, pump installers and home owners alike. Built on over 120 years of engineering excellence, the name Red Jacket has become synonymous with quality for generations of customers who enjoy well water. The SRJ Shallow Well jet pump is no exception. This rugged, fast priming, dedicated shallow well jet pump is designed to provide excellent performance in the most demanding applications. Whether your needs are home or farm, choose a Red Jacket pump generations have come to count on.*



Red Jacket Water Products is a  
brand of ITT Corporation.

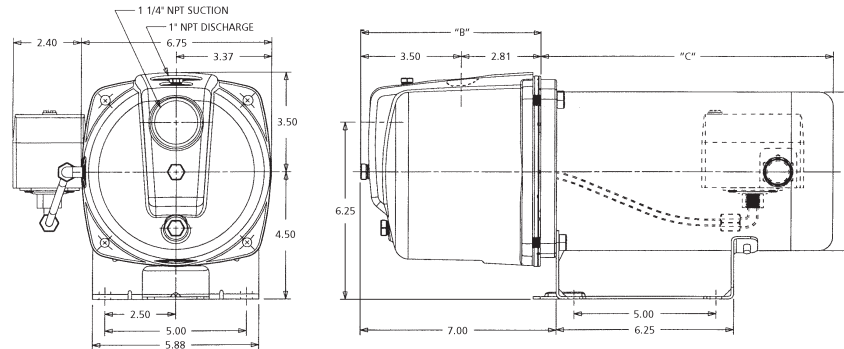
[www.redjacketwaterproducts.com](http://www.redjacketwaterproducts.com)

*Engineered for life*



# ITT

## Residential Water Systems



### DIMENSIONS AND WEIGHTS

Order No.	HP	(Inches)				Wt. (lbs.)
		"C" Max.	"B" Max.	Width	Height	
50SRJ	1/2	10.81	6.31	9.15	8.0	37
75SRJ	3/4	11.56				42
100SRJ	1	11.81				47

Do not use for construction purposes.

### PERFORMANCE RATINGS

Approximate Capacity (GPM) at Discharge Pressure												
Model	HP	Depth to Water (feet)	Built-in Injector	20 PSI	30 PSI	40 PSI	50 PSI	60 PSI	Shut-Off PSI	Pressure Switch Setting	Suction and Disch. Size	
50SRJH	1/2	5	High Press.	6.7	6.4	6.2	5.8	4.2	84	30 - 50	1 1/4" x 1"	
		10		5.8	5.6	5.3	5.1	3.7	82			
		15		4.8	4.7	4.6	4.5	3.3	79			
		20		4.0	3.8	3.7	3.6	3.1	75			
		25		3.0	2.9	2.9	2.8	2.3	74			
50SRJ	1/2	5	Standard	14.3	13.3	10.5	5.8	-	64			
		10		12.4	12.0	9.2	4.2	-	59			
		15		10.5	10.0	8.0	2.4	-	56			
		20		8.6	8.5	6.6	1.0	-	53			
		25		6.7	6.5	5.0	0.6	-	51			
75SRJ	3/4	5	Standard	-	22.5	17.9	12.4	-	69			
		10		-	20.3	16.3	11.5	-	65			
		15		-	17.8	15.3	9.0	-	63			
		20		-	14.8	13.6	7.3	-	61			
		25		-	11.5	10.8	5.2	-	58			
100SRJ	1	5	Standard	-	27.0	22.4	15.7	9.6	72			
		10		-	24.5	20.5	14.8	7.5	69			
		15		-	21.2	19.2	12.6	5.1	66			
		20		-	17.6	16.8	11.1	3.3	63			
		25		-	13.4	13.0	8.7	-	61			



Red Jacket Water Products is a licensed trademark. The ITT Engineered Blocks Symbol are registered trademarks and tradenames of ITT Corporation. Noryl and Lexan are trademarks of GE Plastics.

BRJSRJ March, 2008

© 2008 ITT Corporation

SPECIFICATIONS ARE SUBJECT TO CHANGE WITHOUT NOTICE.

*Engineered for life*